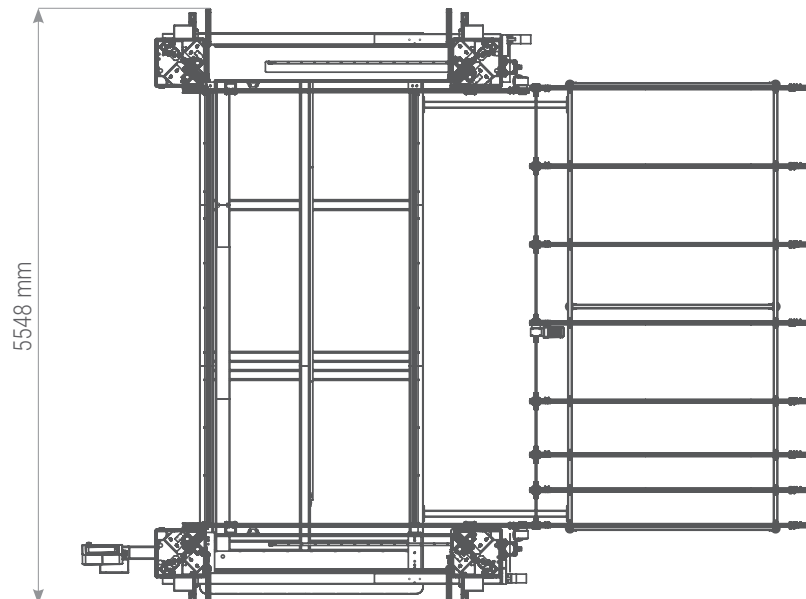
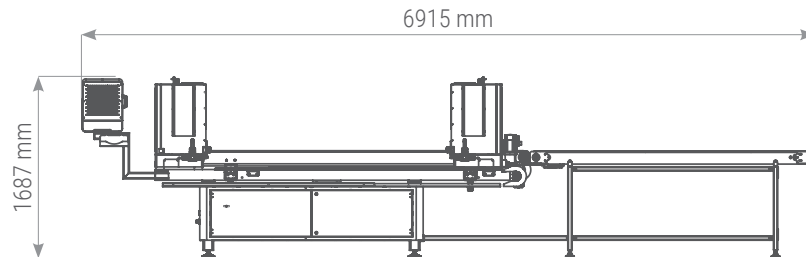


ORION - IV

Automatic Four Head Welding Machine



ORION - IV which is quadruple welding center has been developed for welding 4 edges of plastic profiles process. Through its electronic thermostat provides to be boiled at the same time of 4 edges by scattering homogenised to plaque of heat with adjustable welding time and intended heat value between 0 °C - 350 °C. **ORION - IV** which has process programming and wide memory capacity enables data transfer on distant network connection, Ethernet and USB.



ORION - IV

Automatic Four Head Welding Machine

WELDING UNIT FRAME DIMENSIONS

Min. Frame Dimensions (with mold) 350 mm x 410 mm

Max. Frame Dimensions (without mold) 2650 mm x 4110 mm

WELDING UNIT PROFILE DIMENSIONS

Min. Profile Height 30 mm

Max. Profile Height 200 mm

Min. Profile Width 30 mm

Max. Profile Width 150 mm

ELECTRICAL

Max. Power 14.75 kW

Voltage 400V 3N PE AC

Frequency 50-60 Hz

AIR

Pressure 6-8 Bar

WELDING RANGE

Welding burr size 0.2 mm

OPERATIONAL AREA

Barcode reader ●

Teflon (4 pcs) ●

Welding mold (8 pcs) ●

Gasket pressing system ○

Safety barrier (sensor) ○

Profile holding and cooling unit ○

● Standard ○ Optional